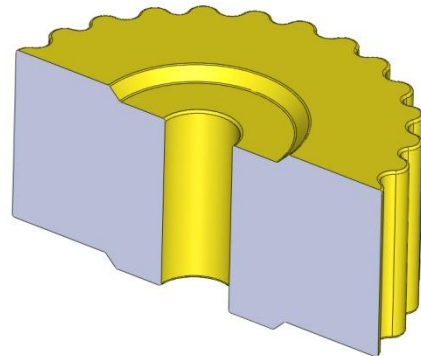
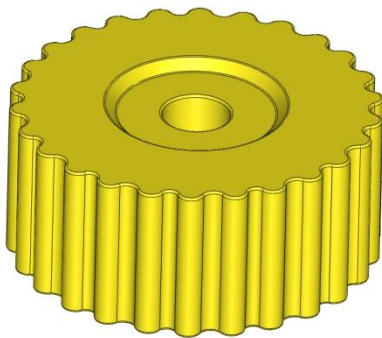


BUOYANCY : POLYURETHANE WITH MICRO SPHERES AND ϕ 50MM SPHERES.



Density: 0,45



Up to dia 2000mm, modules.





Carbonfibre: Extra solid buoyancy



Carbonfibre, Adjustable buoyancy